

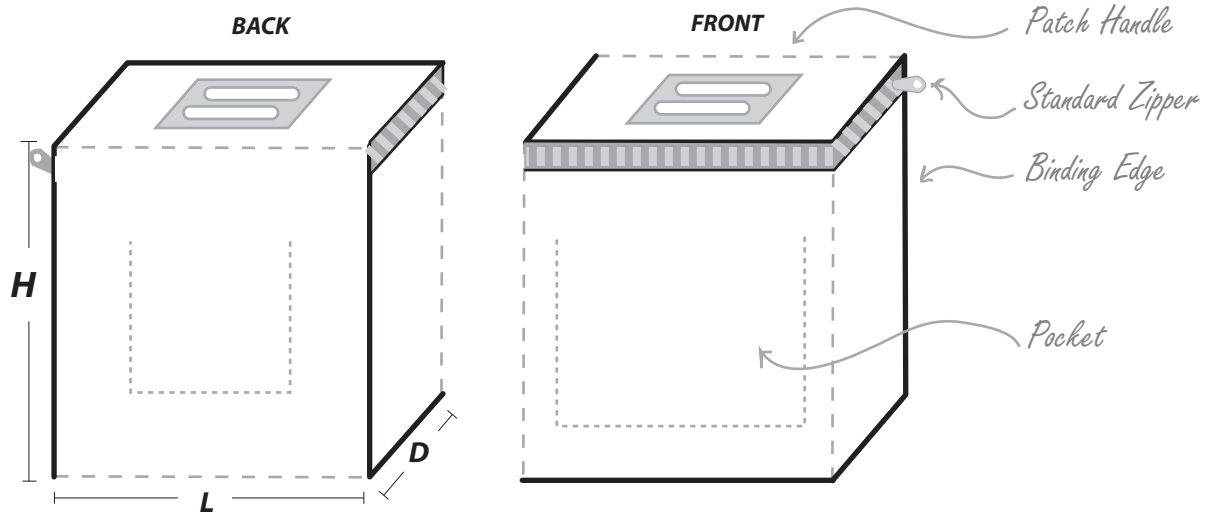
# HOW TO MEASURE YOUR BAG

---

---

## STANDARD BAG

Dimensions are described as (L) length x (H) height x (W) width for all bag constructions, except cylinder shapes. Measurements should be taken of the interior space from "stitching to stitching" or "heat seal to heat seal".



## CYLINDER BAG

Dimensions are described as (DIA) diameter x (H) Height for cylinder bags. Measurements should be taken of the interior space from "stitching to stitching" or "heat seal to heat seal".

